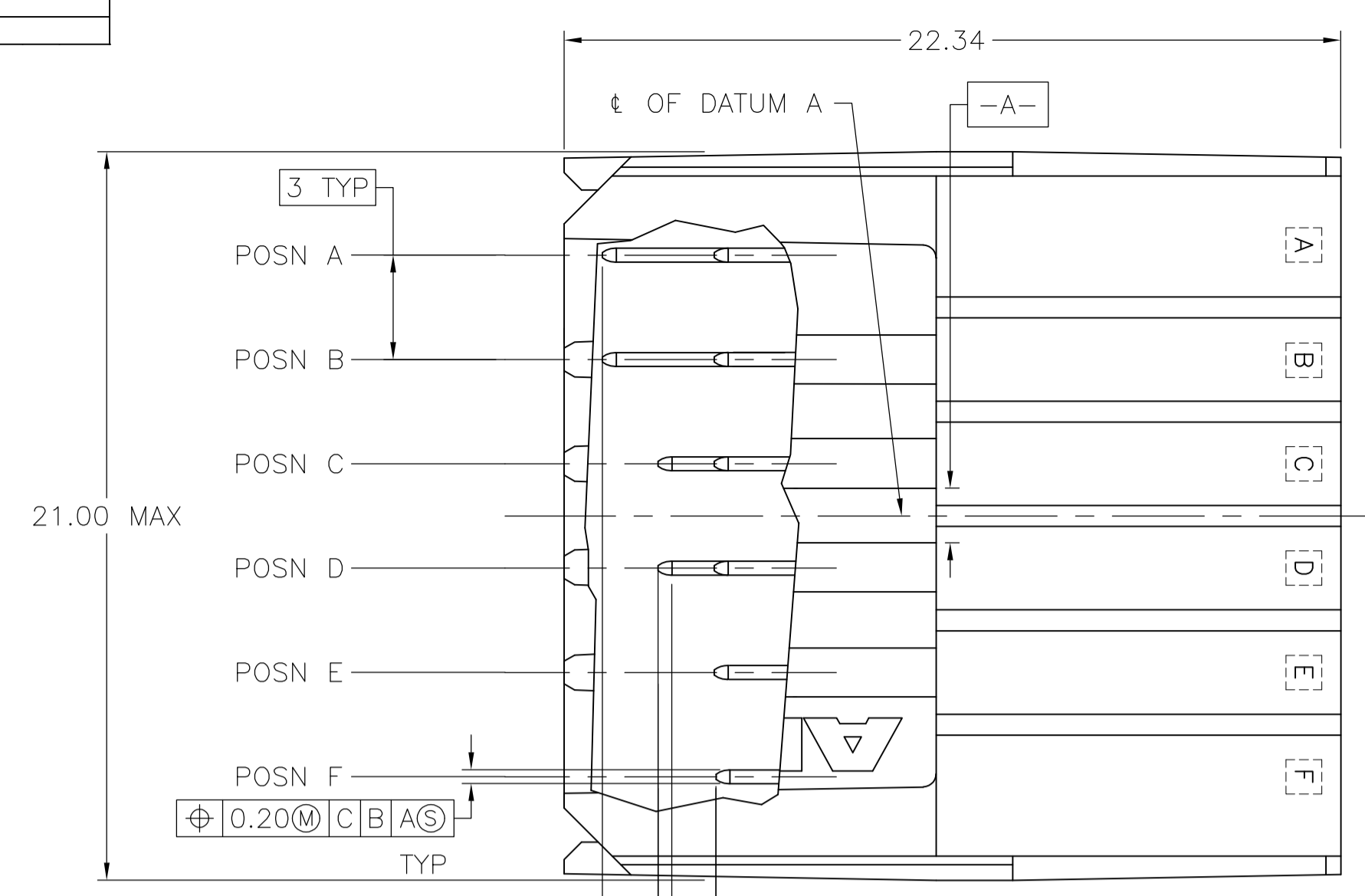
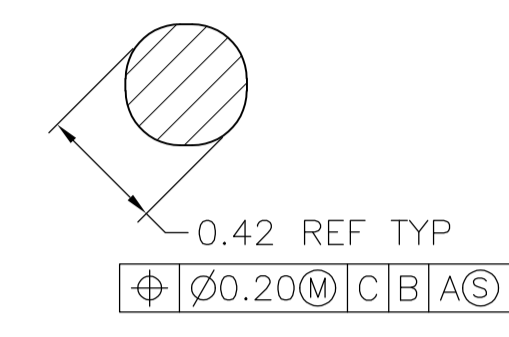


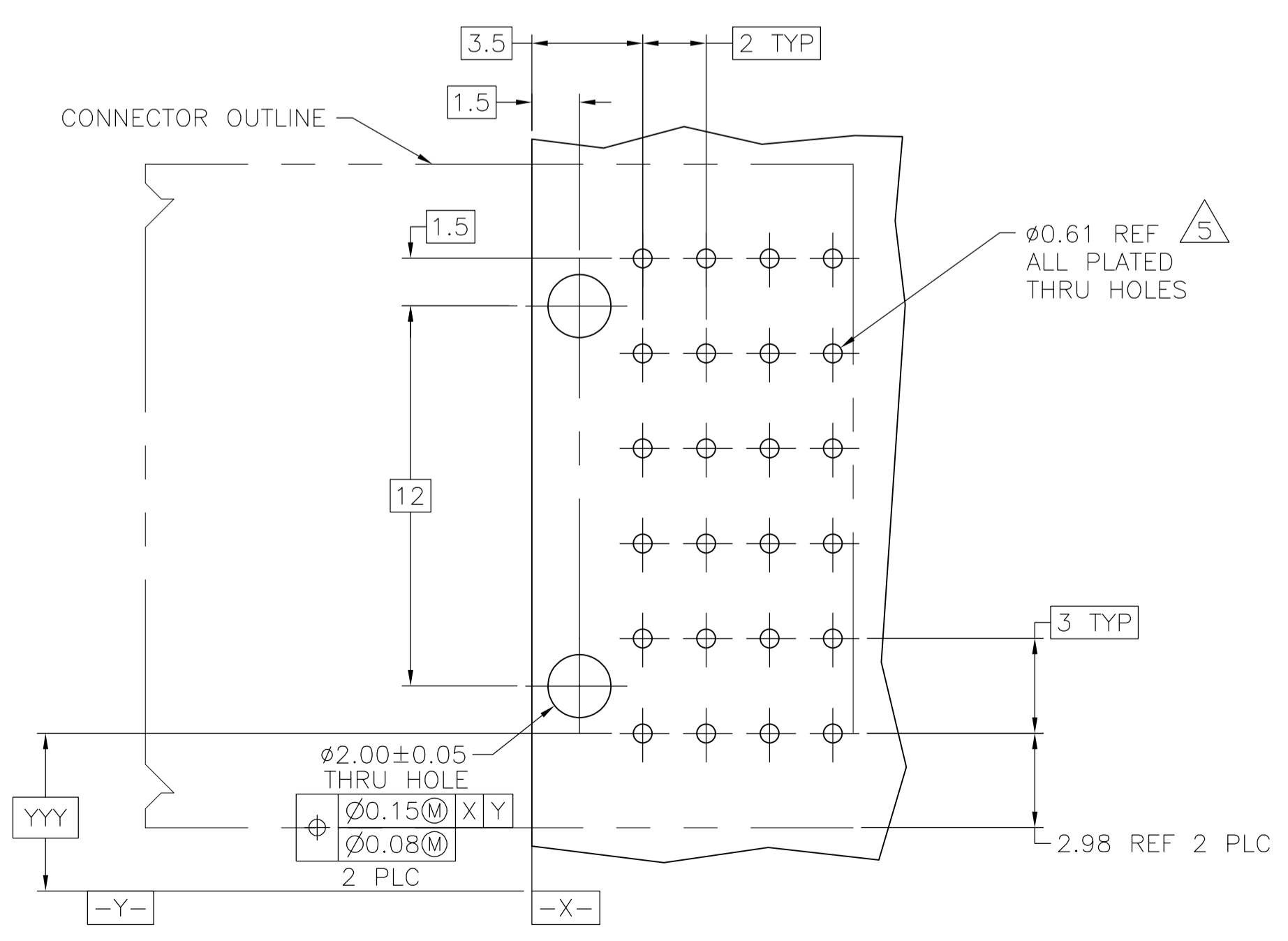
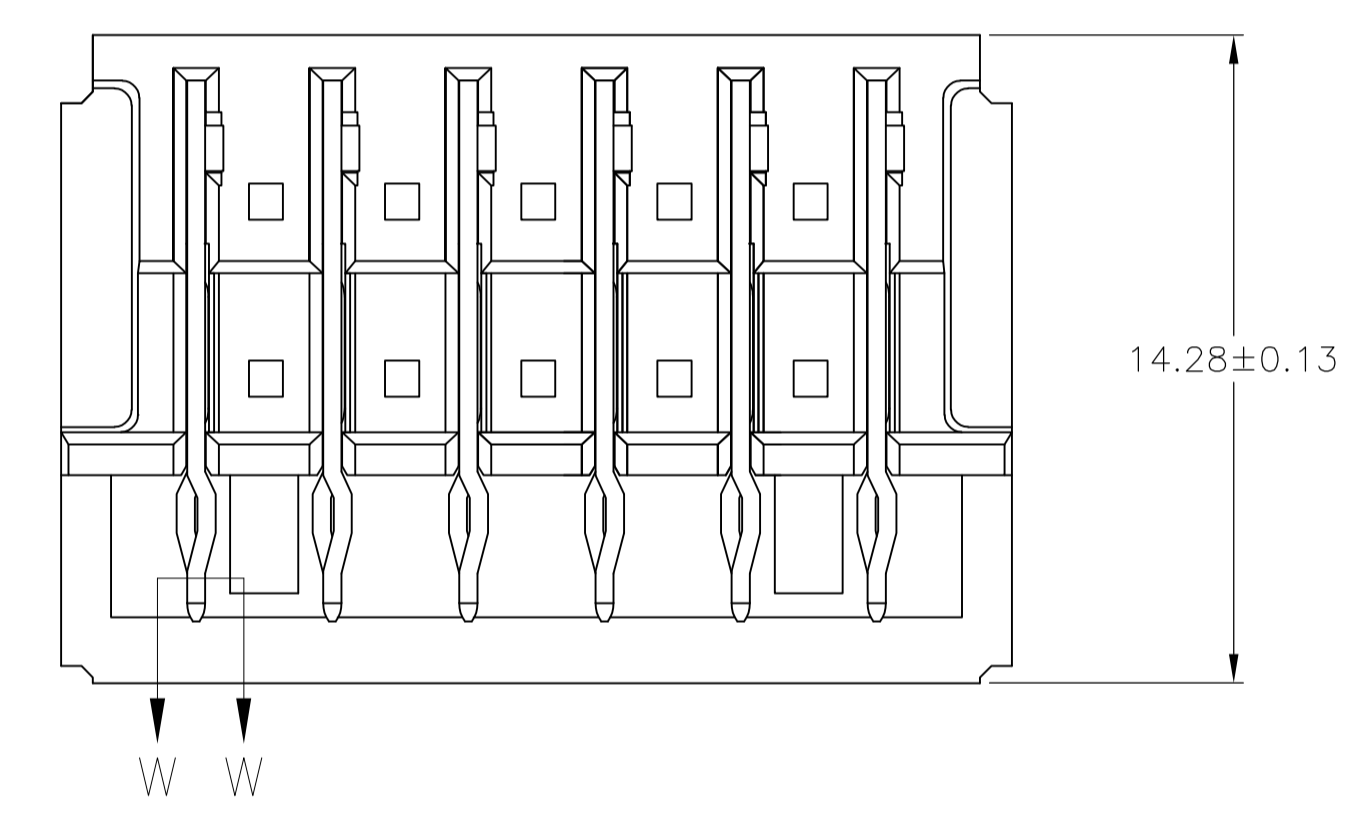
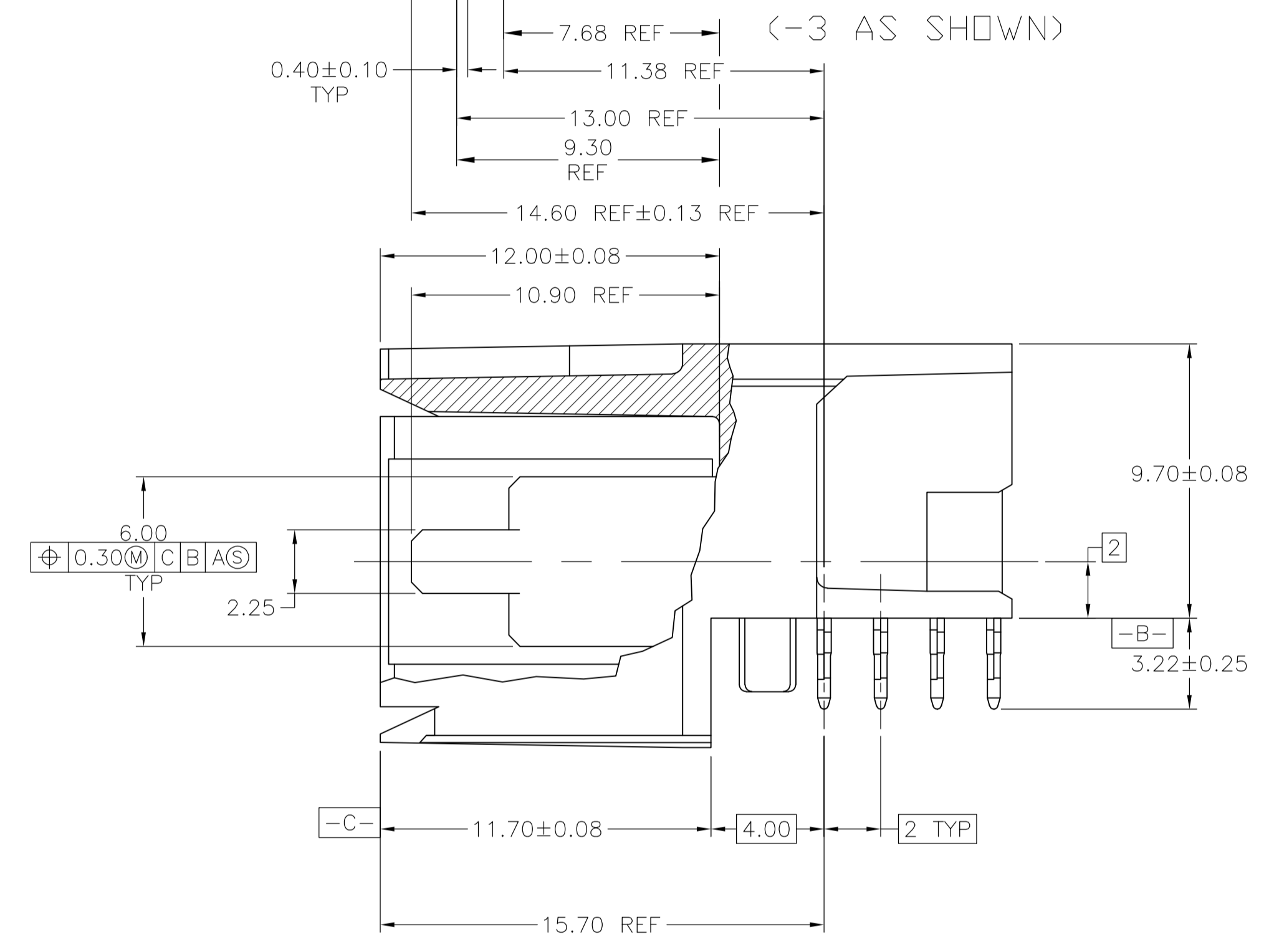
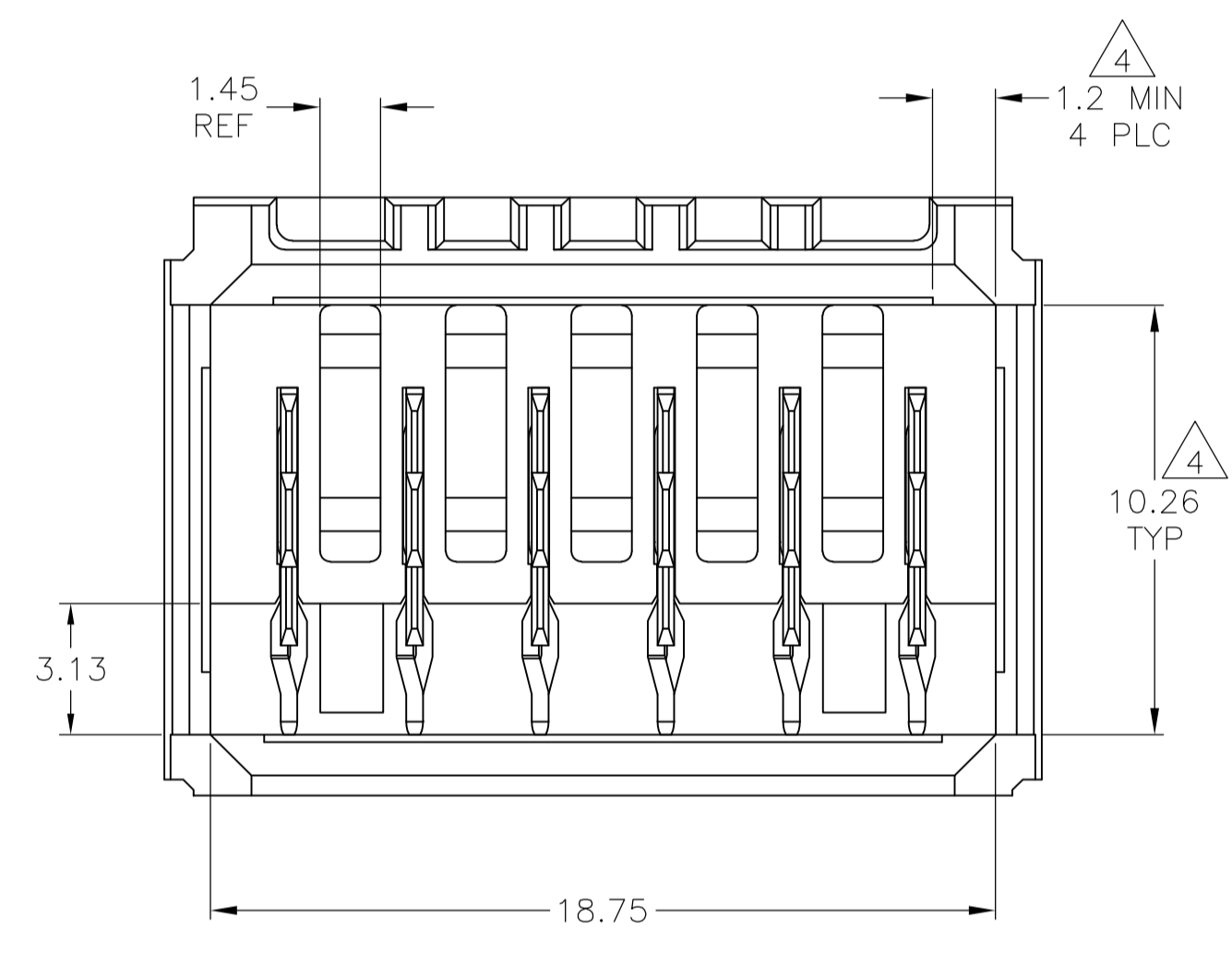
LOC		DIST		REVISIONS				
AD	00	REV	DATE	DESCRIPTION	DATE	BY	APPV	
E2		REVISED PER ECO-12-010077	01JUN12			KH	AS	



- 1 MATERIAL: HOUSING: POLYESTER. COLOR: GRAY. UL 94V-0. CONTACT: PHOSPHOR BRONZE.
- 2 FINISH: CONTACT MATING AREA: 1.27µm MIN GOLD OR 0.08µm MIN GOLD OVER 0.76µm MIN PALLADIUM-NICKEL. ACTION PIN AREA: 0.5µm MIN TIN PLATE, ALL OVER 1.27µm MIN NICKEL UNDERPLATE.
- 3 FINISH: CONTACT LUBRICATION WITH BELLCORE APPROVED LUBRICANT. TECHNICAL REFERENCE: GR-1217-CORE, ISSUE 1, NOVEMBER 1995.
- 4 THE 10.26±0.13 DIMENSION APPLIES IN THIS AREA.
- 5 REFERENCE APPLICATION SPEC 114-1103 FOR RECOMMENDED PLATED THRU HOLE DIAMETER AND PLATING THICKNESS.
- 6. CURRENT RATING 10A/CONTACT PER PRODUCT SPEC 108-1651.



SECTION W-W
SCALE 40:1



RECOMMENDED PCB HOLE LAYOUT

FINISH	POSITIONS LOADED WITH 10.90 CONTACTS (2)	POSITIONS LOADED WITH 9.30 CONTACTS (3)	POSITIONS LOADED WITH 7.68 CONTACTS (4)	NO OF LOADED POSITIONS	PART NUMBER
2,3	D,E,F	-	A,B,C	6	5646956-7
2,3	-	A,B,C,D	E,F	6	5646956-6
2,3	A,B	D,E,F	C	6	5646956-5
2,3	A,D,E,F	B	C	6	5646956-4
2,3	A,B	C,D	E,F	6	5646956-3
2,3	A,F	B,C,D,E	-	6	5646956-2
2,3	A,B,C,D,E,F	-	-	6	5646956-1

THIS DRAWING IS A CONTROLLED DOCUMENT.

DIMENSIONS:	TOLERANCES UNLESS OTHERWISE SPECIFIED:	DRAWING NO	RESTRICTED TO
mm	0 PLC ± -	00779	
	1 PLC ± ±	5646956	
	2 PLC ± ± 0.13		
	3 PLC ± ±		
	4 PLC ± ±		
	ANGLES ± ±		

MATERIAL: 1 FINISH: 2

TE Connectivity
ASSEMBLY, RIGHT ANGLE HEADER, W/ RETENTION PEGS, UNIVERSAL POWER MODULE

SCALE: 6:1 SHEET: 1 OF 1 REV: E2